



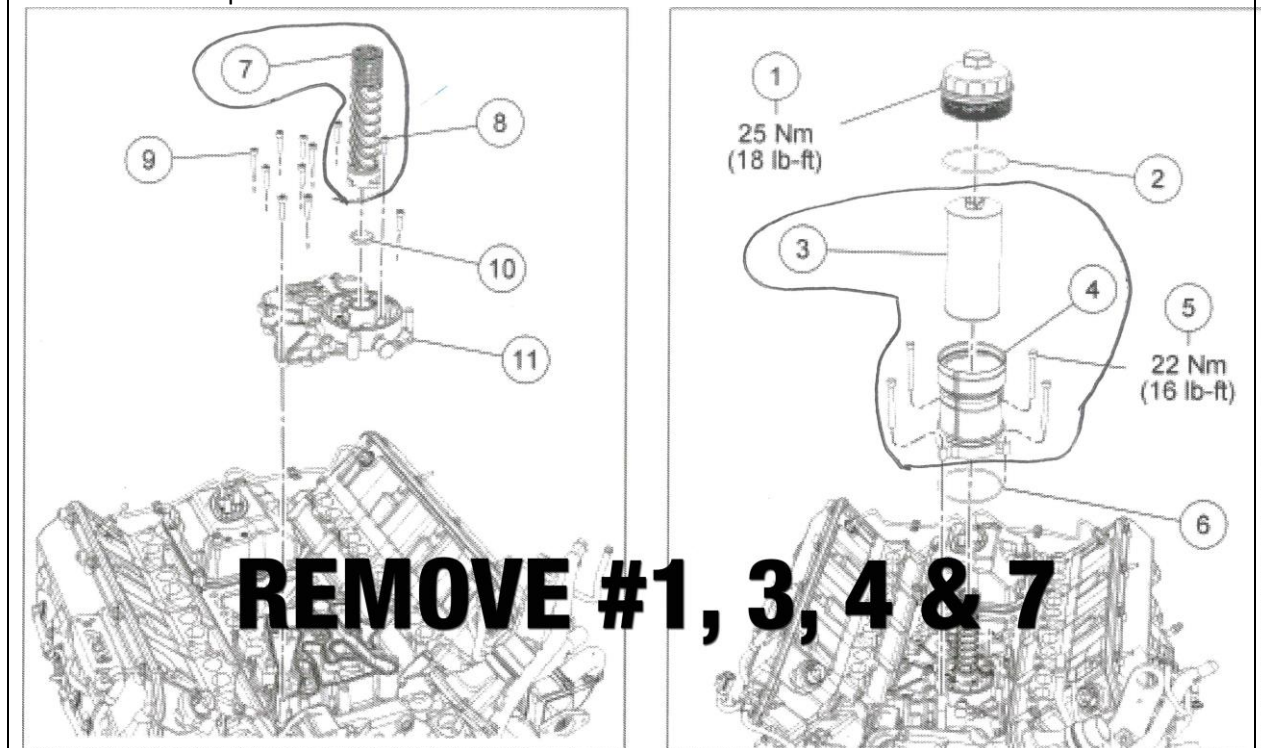
6.0L/6.4L Powerstroke Oil Relocate Kit Installation

Recommended Tools:

- 3/8" Torq Wrench
- 3/8" Ratchet
- 3/8" Extension
- 6mm Allen Socket
- T-45 Torx
- Side Cutters

1. Remove factory oil filter	
2. Remove the 4 factory T-45 Torx bolts from oil filter housing	6.0L Note: Bolts all same length 6.4L Note: Beware of bolt length location when removing factory housing. Will have 2 long & 2 short bolts
3. Remove factory oil filter housing after removing bolts	Note: Reuse factory oil filter housing base o-ring & #10 o-ring in illustration below

Reference for steps 1 - 3



6.0L/6.4L Powerstroke Oil Relocate Kit Installation

4. Using provided hardware, bolt down supplied plate to where factory oil filter housing used to be. Torq to 16 ft/lbs

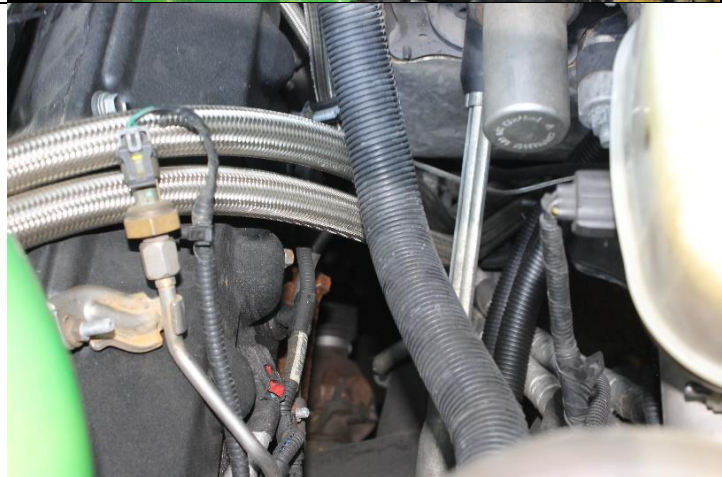
Note: Do not tighten oil lines. Cap filter end of lines to prevent debris in lines

Pictures below shows 6.4L Kit Installed



5. Feed oil lines down driver side firewall underneath the steering shaft. Route between inner fender liner to outside of frame.

Note: Make sure the lines are not rubbing the steering shaft



6. Bolt down oil filter plate to frame of truck.


Note: Crew & extended will have 2 bolt holes just behind centerline of transfer case if vehicle is 4WD. 2WD will have the same 2 holes in the same location.

Note: Regular cab may not have set holes in the frame & may require drilling





6.0L/6.4L Powerstroke Oil Relocate Kit Installation

<p>7. Install oil lines to filter base plate. Using the marked line install it to the in fitting on the filter plate.</p>	
<p>8. Tighten oil lines on both plates to ensure no leakage.</p>	<p>Note: Zip tie or fasten lines however you feel is needed for a clean look.</p>